

The material receivers of the TMM series, completely made of stainless steel, were designed to be used in centralized feeding systems MATRIX 4.0. There are 8 models from 2 dm³ to 100dm³.



TECHNICAL SPECIFICATIONS:

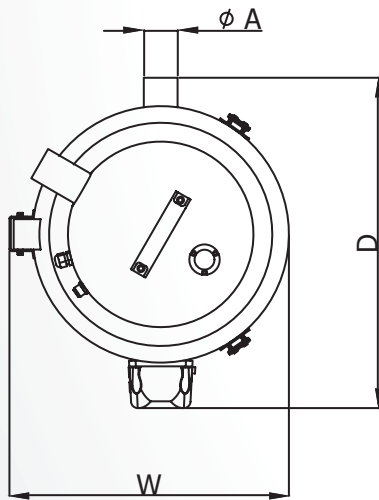
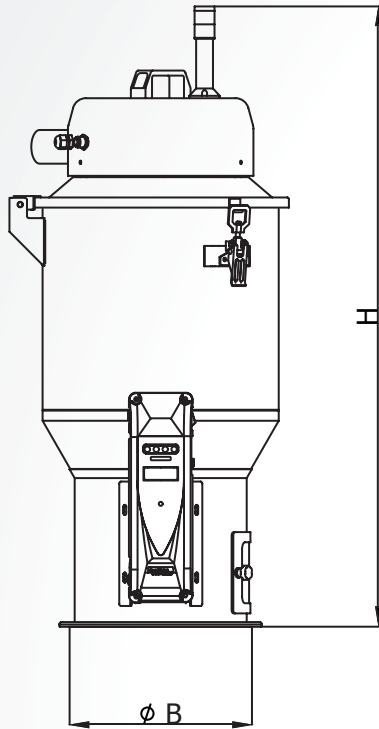
- Stainless steel structure.
- Hinged cover.
- High-vacuum operation.
- Automatic filter cleaning.
- Flap-type outlet valve and wear-resistant gasket.
- Air vent with door and integrated metal filter.
- ETHERNET connection

ACCESSORIES:

- Pneumatic discharge.
- Proportioning valve.
- It can be integrated with MWS weighing system.

ADDED VALUE:

- Easy to use.
- Easy cleaning and maintenance.
- Safe and reliable.
- Fast installation with a 360° orientation.
- Status indicator.



TMM receivers

TECHNICAL DATA			TMM2	TMM4	TMM5	TMM10	TMM25	TMM50	TMM100
Capacity		dm ³	2	4	5	10	25	50	100
Centre-to-centre distance B		mm	210	210	280	280	280	280	280
Material inlet diameter A		mm	40	40	40/50	40/50	50/60/70	60/70	60/70/90
Dimensions	W	mm	268	268	413	413	414	414	568
	D	mm	339	339	339	339	438	511	592
	H	mm	505	586	597	753	915	1085	1192
Weight		kg	7	8	10	12	15	17	25