

The small dryers of the DAC series are the perfect solution for drying hygroscopic polymers in small productions. The series includes 7 models of dryers with hoppers from 2 dm³ to 100 dm³ for throughputs up to 30 kg/h.



TECHNICAL SPECIFICATIONS:

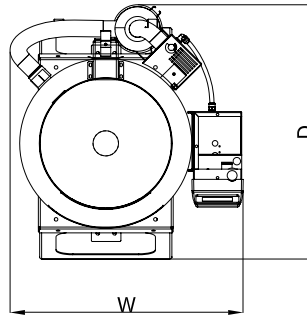
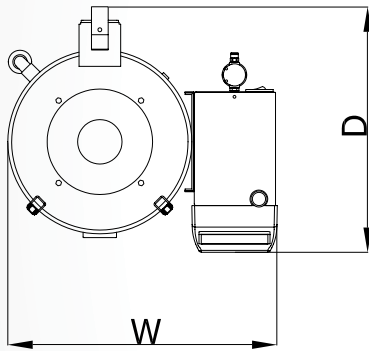
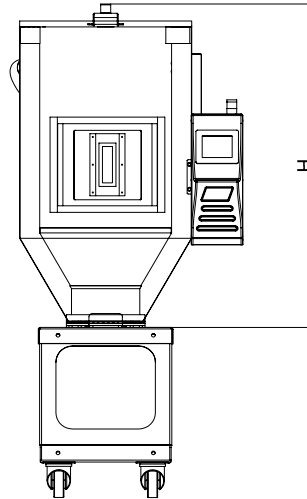
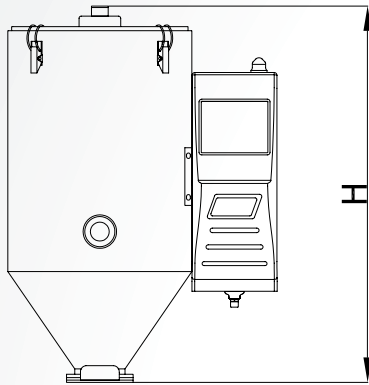
- Microprocessor control unit with keypad and LCD display.
- Built-in molecular-sieve unit.
- Process air managed with a modulating valve.
- ETHERNET connection.

ACCESSORIES:

- Venturi feeder.
- Base made of Pyrex or steel with side outlet (DAC6-50).
- 4" colour touch screen.

ADDED VALUE:

- **EASY TO INSTALL**
A compact unit that can be quickly installed on small-size presses and extruders.
- **SIMPLE OPERATOR INTERFACE**
Only two parameters to set: type of material and hourly consumption.
- **ENERGY EFFICIENCY**
Depending on the throughput, the machine adjusts the process airflow and its antistress function prevents the degradation of the polymer due to overdrying.



DAC2N-50N

TURBO DAC75-100

| TECHNICAL DATA | | DAC2 NV | DAC6N | DAC15N | DAC30N | DAC50N | TurboDAC75 | TurboDAC100 |
|-------------------------|--------------------|-------------|-------------|-------------|-------------|-------------|-------------|--------------|
| Hopper capacity | dm ³ | 1-2 | 6 | 15 | 30 | 50 | 75 | 100 |
| Airflow rate | Nm ³ /h | 1-3 | 2-5 | 4-12 | 6-16 | 6-20 | 15-40 | 15-40 |
| Dew point | °C | -25/-50 | -25/-50 | -25/-50 | -25/-50 | -25/-50 | -15/-30 | -15/-30 |
| Process temperature | °C | 50-140 | 50-140 | 50-140 | 50-140 | 50-140 | 60-140 | 60-140 |
| Heating power | kW | 0.65 | 0.65 | 0.65 | 0.95 | 0.95 | 1 | 1 |
| Noise level | dB(A) | <80 | <80 | <80 | <80 | <80 | <80 | <80 |
| Total power | kW | 0.7 | 0.7 | 0.7 | 1 | 1 | 1.1 | 1.1 |
| Compressed-air pressure | bar | 6-8 | 6-8 | 6-8 | 6-8 | 6-8 | 6-8 | 6-8 |
| Voltage/Frequency | V/Hz | 230/50-60 | 230/50-60 | 230/50-60 | 230/50-60 | 230/50-60 | 230/50-60 | 230/50-60 |
| Dimensions WxDxH | mm | 342x284x483 | 374x313x457 | 436x360x605 | 483x416x678 | 537x464x908 | 695x673x978 | 695x673x1179 |
| Weight | kg | 8 | 10 | 16 | 20 | 23 | 58 | 62 |